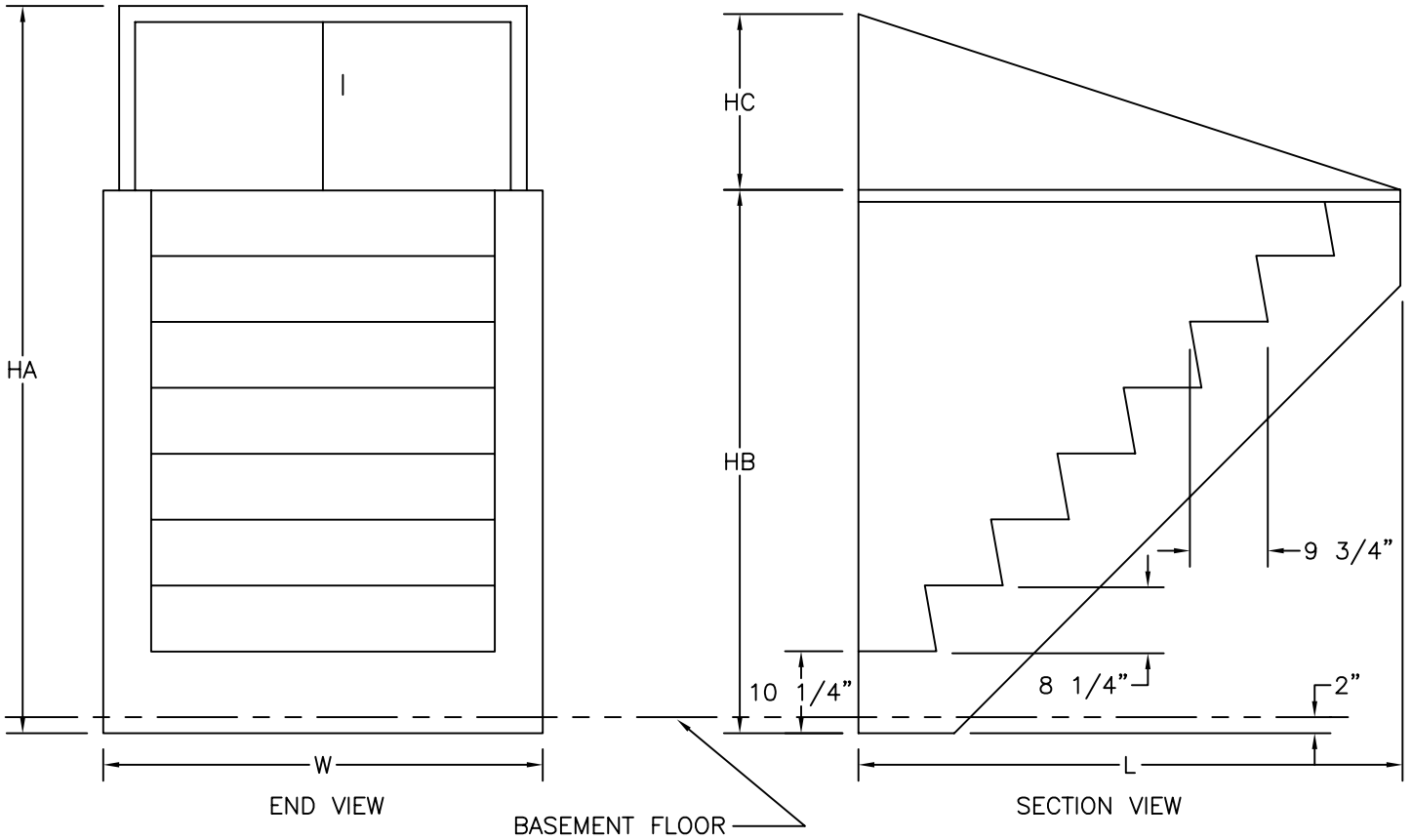


NOTES:

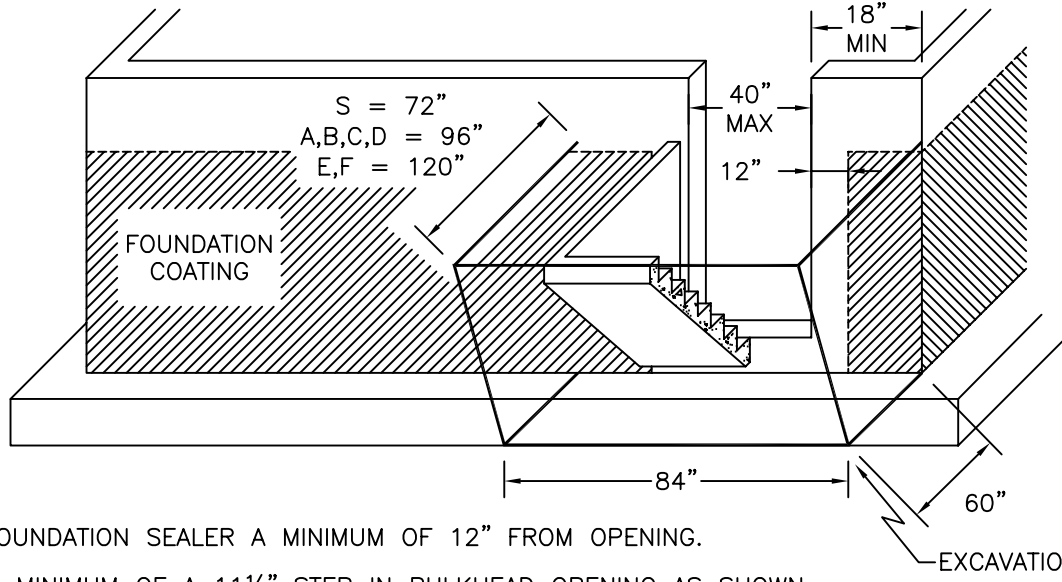
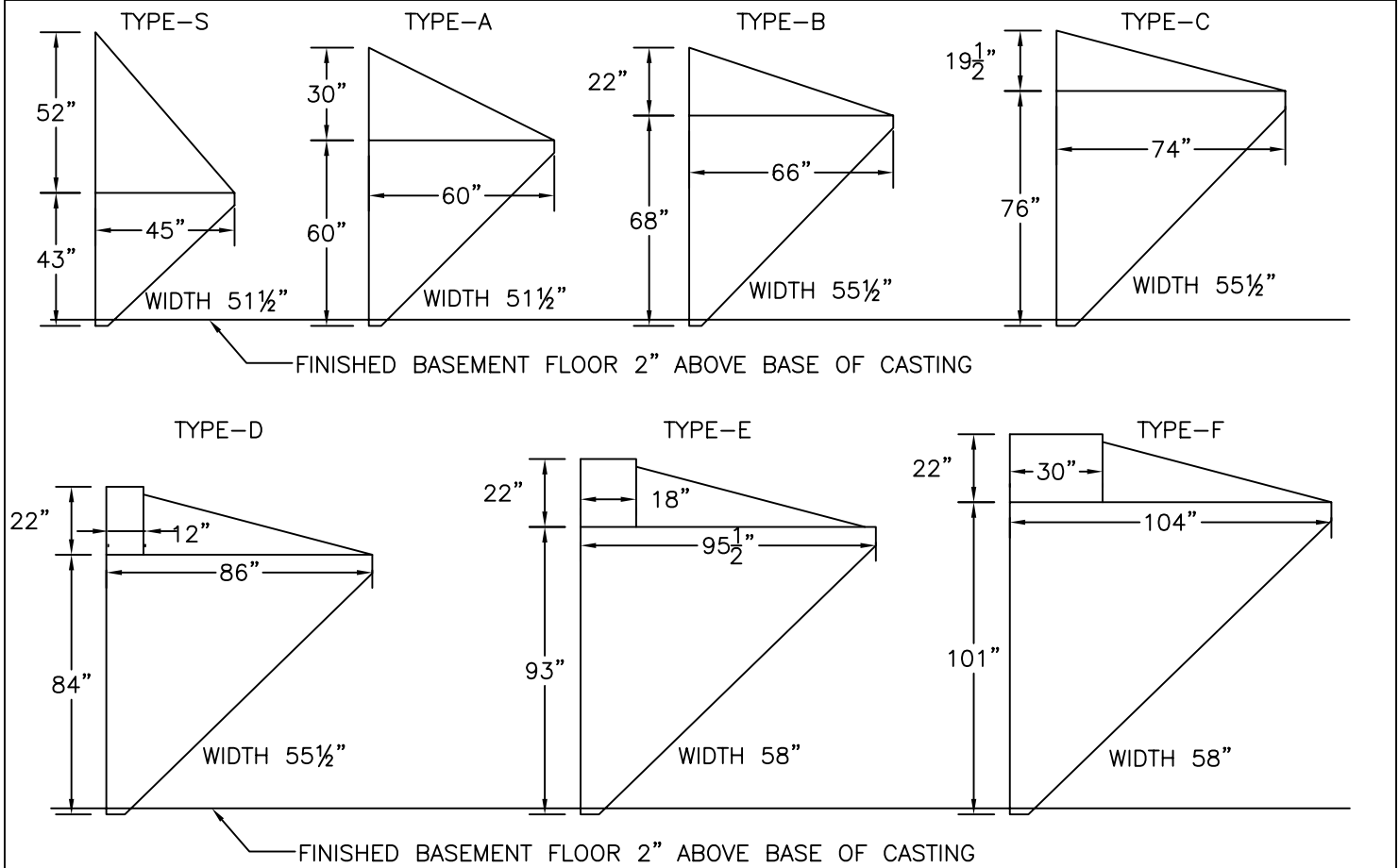
1. CONCRETE: 4,000 PSI MINIMUM AFTER 28 DAYS.
2. HEAVY DOUBLE LEAF STEEL DOORS.
3. OPTIONAL DOOR LOCK AVAILABLE.



TYPE	W (WIDTH)	L (LENGTH)	HEIGHT			WEIGHT (LBS)	ITEM NO.
			HA (TOTAL)	HB (PRECAST)	HC (DOOR)		
S	51 1/2"	45"	95"	43"	52"	2,400	BH-S
A	51 1/2"	60"	90"	60"	30"	3,600	BH-A
B	55 1/2"	66"	90"	68"	22"	4,800	BH-B
C	55 1/2"	74"	95 1/2"	76"	19 1/2"	5,500	BH-C
D	55 1/2"	86"	106"	84"	22"	6,200	BH-D
E	58"	95 1/2"	115"	93"	22"	7,800	BH-E
F	58"	104"	123"	101"	22"	9,000	BH-F

E. F. SHEA
NEW ENGLAND
CONCRETE PRODUCTS, INC.

BULKHEAD



NOTES:

1. KEEP FOUNDATION SEALER A MINIMUM OF 12" FROM OPENING.
2. POUR A MINIMUM OF A 11½" STEP IN BULKHEAD OPENING AS SHOWN.
3. KEEP A MINIMUM OF 18" FROM FOUNDATION CORNER.
4. ROOF DRAINAGE SHOULD BE DIVERTED AWAY FROM BULKHEAD OPENING.
5. PERIMETER DRAINAGE RECOMMENDED.
6. BACK FILL SHOULD BE CLEAN GRAVEL WELL COMPACTED.
7. HOW TO ORDER:
 DETERMINE DIMENSION FROM TOP OF FOOTING TO PROPOSED FINISHED GRADE. REFER TO TYPES AVAILABLE AND SELECT SIZE TO ASSURE TOP OF STAIRWELL WILL BE 2" TO 6" ABOVE FINISHED GRADE.

E. F. SHEA
NEW ENGLAND
CONCRETE PRODUCTS, INC.

BULKHEAD INSTALLATION
 RECOMMENDATIONS