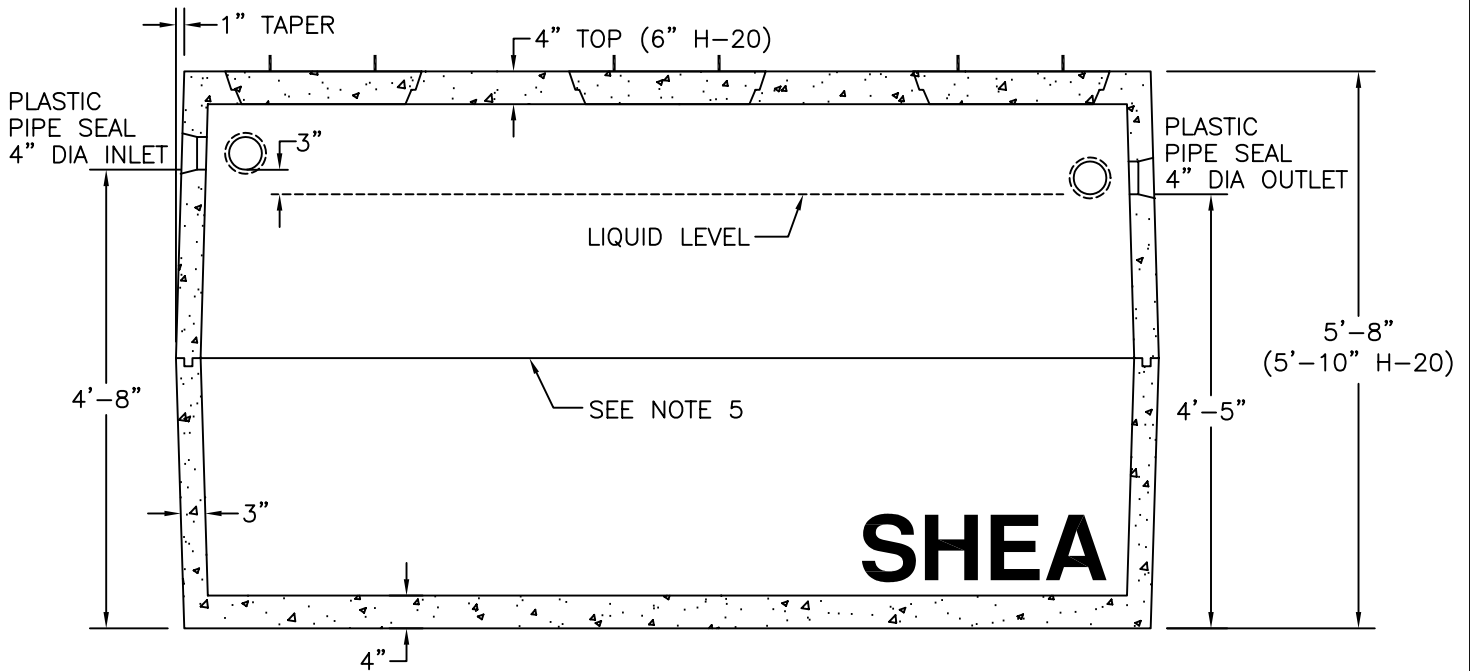


PLAN VIEW



SECTION VIEW

		WEIGHT
ITEM NO.	TK 1250	10,295#
	TK 1250H	11,530#

NOTES:

1. CONCRETE: 4,000 PSI MINIMUM AFTER 28 DAYS.
2. CONSTRUCTION OF SEPTIC TANK CONFORMS WITH DEP TITLE 5 REGS, 310 CMR, SECTION 15.226.
3. ALL REINFORCEMENT PER ASTM C1227-93.
4. TEES AND GAS BAFFLE SOLD SEPARATELY.
5. TONGUE & GROOVE JOINT SEALED WITH BUTYLE RESIN.
6. ALSO AVAILABLE IN H-20 LOADING.

E. F. SHEA
NEW ENGLAND
CONCRETE PRODUCTS, INC.

SEPTIC TANK
1250 GALLON