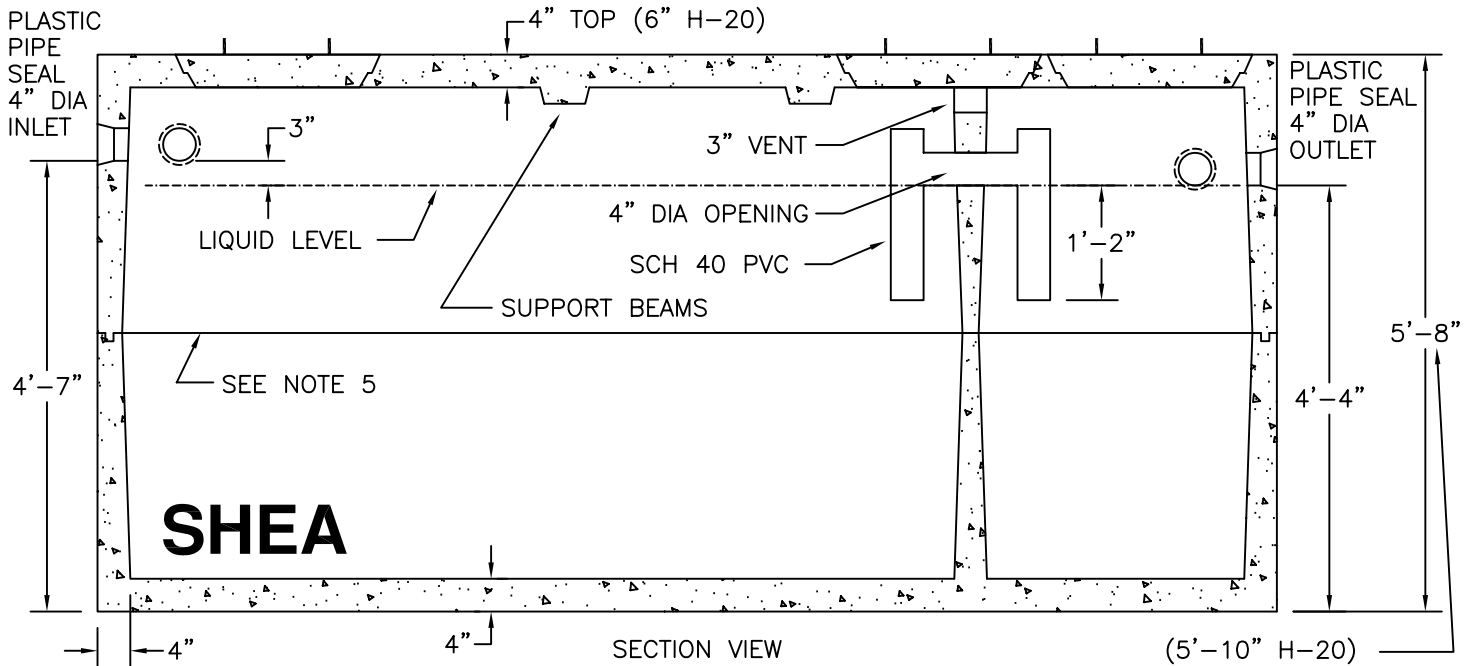


PLAN VIEW



SECTION VIEW

ITEM NO. TK-COMBO	STANDARD	15,685#
TK-COMBO	H-20	17,610#

NOTES:

1. CONCRETE: 4,000 PSI MINIMUM AFTER 28 DAYS.
2. DESIGN CONFORMS WITH 310 CMR 15.00, DEP TITLE 5 REGS, FOR SEPTIC TANKS.
3. ALL REINFORCEMENT PER ASTM C1227-93.
4. TEES AND GAS BAFFLE SOLD SEPARATELY.
5. TONGUE & GROOVE JOINT SEALED WITH BUTYLE RESIN.
6. ALSO AVAILABLE IN H-20 LOADING.

E. F. SHEA
NEW ENGLAND
CONCRETE PRODUCTS, INC.

COMBINATION TANK
 1500 SEPTIC/500 PC