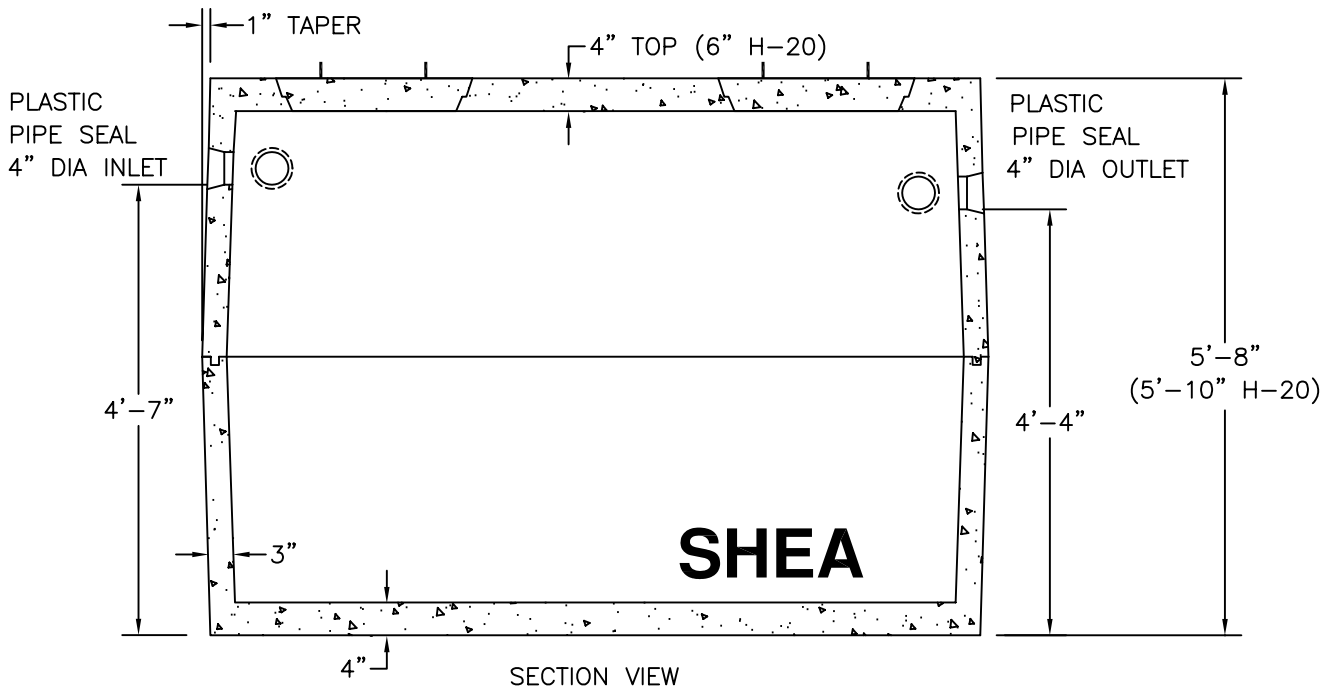


PLAN VIEW



SECTION VIEW

NOTES:

1. CONCRETE: 4,000 PSI MINIMUM AFTER 28 DAYS.
2. DESIGN CONFORMS WITH 310 CMR 15.000, DEP TITLE 5 REGS, FOR PUMP CHAMBERS.
3. ALL REINFORCEMENT PER ASTM C1227-93.
4. ALSO AVAILABLE IN H-20 LOADING.
5. JOINT SEALED WITH BUTYL RESIN.
6. PUMPS AND ACCESSORIES OPTIONAL.

			WEIGHT
ITEM NO.	TK-1000	STANDARD	8,765#
	TK-1000H	H-20	9,785#

E. F. SHEA
NEW ENGLAND
CONCRETE PRODUCTS, INC.

PUMP CHAMBER
 1000 GALLON