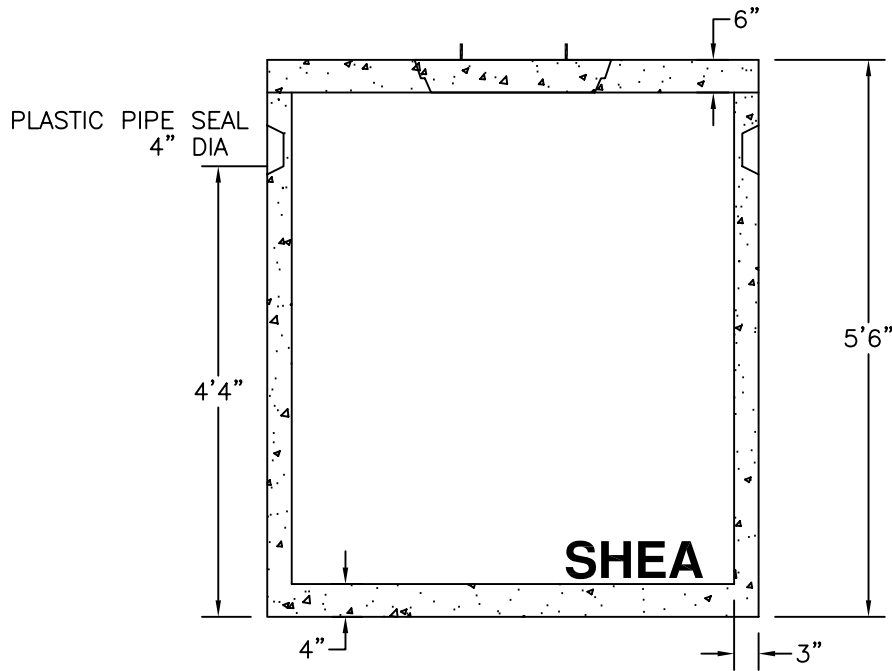


PLAN VIEW



SECTION VIEW

			WEIGHT
ITEM NO.	TK-500PC	STANDARD	6,000#
	TK-500PCH	H-20	6,600#

NOTES:

1. CONCRETE: 4,000 PSI MINIMUM AFTER 28 DAYS.
2. DESIGN CONFORMS WITH 310 CMR 15.000, DEP TITLE 5 REGS, FOR PUMP CHAMBERS.
3. ALL REINFORCEMENT PER ASTM C1227-93.
4. ALSO AVAILABLE IN H-20 LOADING.
5. JOINT SEALED WITH BUTYL RESIN.
6. PUMPS AND ACCESSORIES OPTIONAL.

E. F. SHEA
NEW ENGLAND
CONCRETE PRODUCTS, INC.

PUMP CHAMBER
 500 GALLON