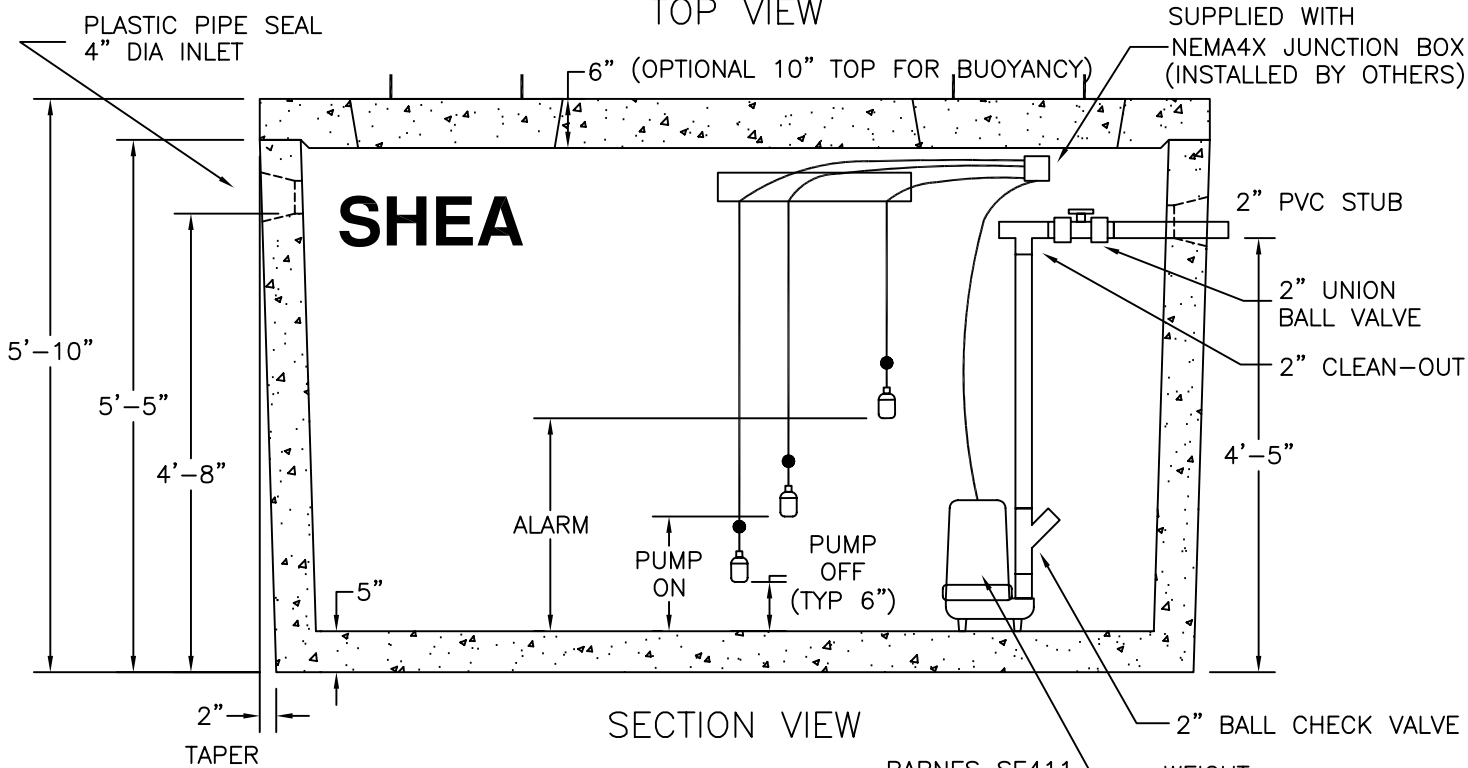


TOP VIEW



SECTION VIEW

NOTES:

1. CONCRETE: 4,000 PSI MINIMUM AFTER 28 DAYS.
2. CONSTRUCTION OF PUMP CHAMBER CONFORMS WITH DEP TITLE 5 REGS, 310 CMR, SECTION 15.226.
3. ALL REINFORCEMENT PER ASTM C1227-93.
4. JOINT SEALED WITH BUTYLE RESIN.
5. DESIGNED FOR H-20 LOADING.
6. PUMPS, FLOATS AND PIPE INSTALLED IN CHAMBER. FLOAT ELEVATIONS SET UPON REQUEST.
7. SUPPLIED WITH PUMP CONTROL PANEL W/ALARM.
8. ADDITIONAL PUMPS & DUPLEX CONFIGURATION AVAILABLE.

BARNES SE411 OR SE51

WEIGHT:
 BOTTOM = 11,250#
 10" TOP = 5,960#
 6" TOP = 3,575#

ITEM NO.	PC1000P4S(D)	SE411
	PC1000P5S(D)	SE51

E. F. SHEA
 NEW ENGLAND
 CONCRETE PRODUCTS, INC.

PUMP CHAMBER MONOLITHIC
 1000 GALLON
 SIMPLEX PUMP PACKAGE