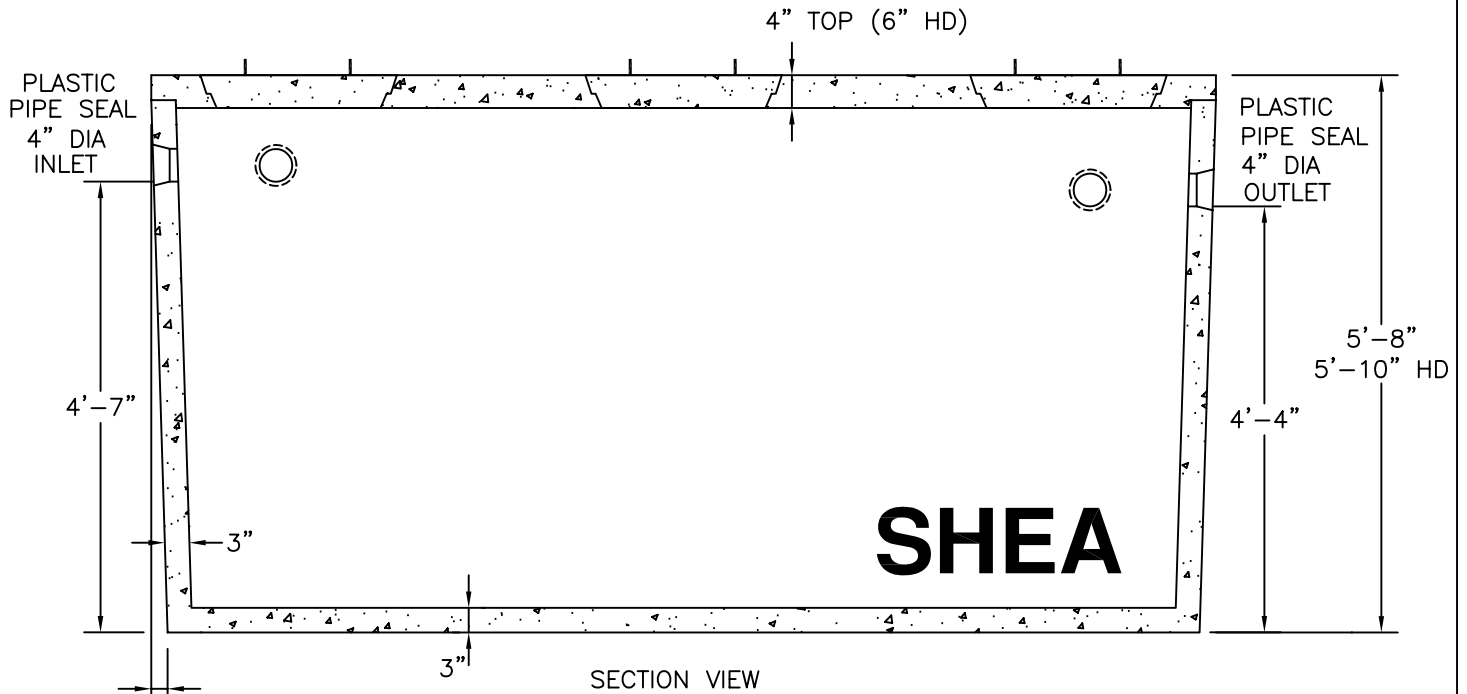


PLAN VIEW



2" TAPER

			WEIGHT
ITEM NO.	TK-M1500	STANDARD	11,035#
	TK-M1500H	HD	12,549#

NOTES:

1. CONCRETE: 4,000 PSI MINIMUM AFTER 28 DAYS.
2. DESIGN CONFORMS WITH 310 CMR 15.000, DEP TITLE 5 REGS, FOR PUMP CHAMBERS.
3. ALL REINFORCEMENT PER ASTM C1227-93.
4. ALSO AVAILABLE IN HEAVY DUTY.
5. JOINT SEALED WITH BUTYL RESIN.
6. PUMPS AND ACCESSORIES OPTIONAL.

E. F. SHEA
NEW ENGLAND
CONCRETE PRODUCTS, INC.

PUMP CHAMBER MONOLITHIC
1500 GALLON
3" WALL