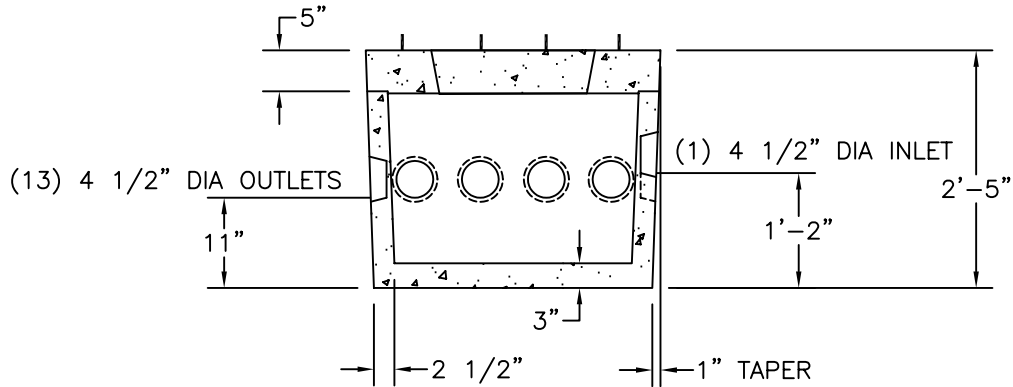


PLAN VIEW



SECTION VIEW

		WEIGHT
ITEM NO.	B-13DBH H-20 W/COVER	1,254#
	B-13DBCH COVER ONLY H-20	463#

NOTES:

1. CONCRETE: 4,000 PSI MINIMUM AFTER 28 DAYS.
2. DESIGN CONFORMS WITH 310 CMR 15.000, DEP TITLE 5 REGS, FOR DISTRIBUTION BOXES.
3. DESIGNED FOR H-20 LOADING.

E. F. SHEA
NEW ENGLAND
CONCRETE PRODUCTS, INC.

DISTRIBUTION BOX
 13 OUTLET
 1 INLET