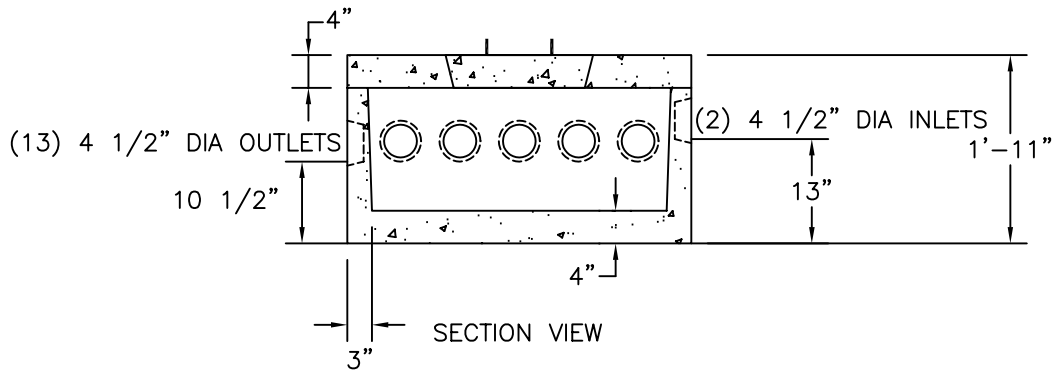


PLAN VIEW



SECTION VIEW

| | | WEIGHT |
|----------|----------|--------|
| ITEM NO. | B-13DBH | 1,230# |
| | B-13DBCH | 375# |

NOTES:

1. CONCRETE: 4,000 PSI MINIMUM AFTER 28 DAYS.
2. DESIGN CONFORMS WITH 310 CMR 15.000, DEP TITLE 5 REGS, FOR DISTRIBUTION BOXES.
3. DESIGNED FOR H-20 LOADING.

E. F. SHEA
NEW ENGLAND
CONCRETE PRODUCTS, INC.

DISTRIBUTION BOX
 13 OUTLET
 2 INLET