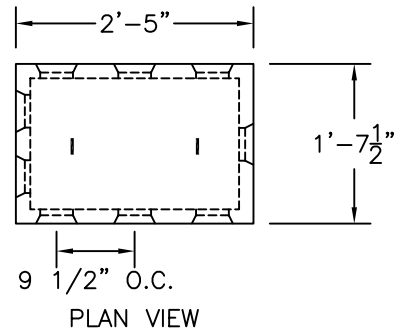
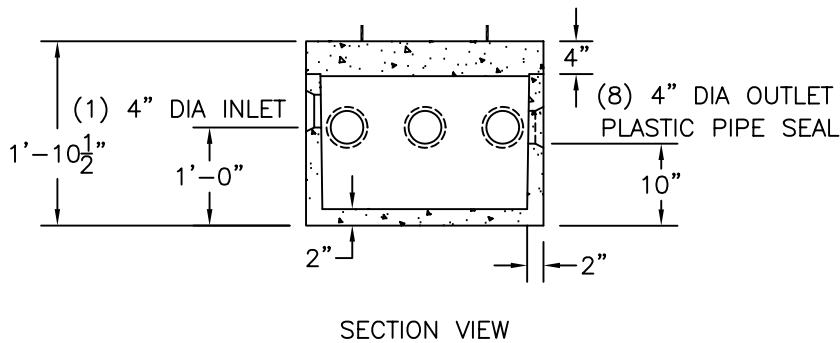


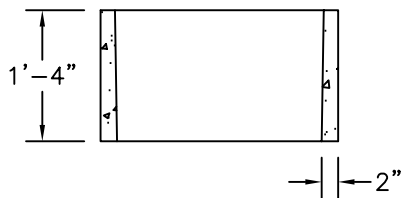
5 OUTLET STANDARD

		WEIGHT
ITEM NO. B-5DB	W/COVER	132#
B-5DBC	COVER ONLY	48#



SECTION VIEW

PLAN VIEW



OPTIONAL RISER

		WEIGHT
ITEM NO. B-8DB	W/COVER	514#
B-8DBC	COVER ONLY	199#
B-8DBR	RISER SECTION	167#

8 OUTLET STANDARD

NOTES:

1. CONCRETE: 4,000 PSI MINIMUM AFTER 28 DAYS.
2. DESIGN CONFORMS WITH 310 CMR 15.000, DEP TITLE 5 REGS, FOR DISTRIBUTION BOXES.

E. F. SHEA
NEW ENGLAND
CONCRETE PRODUCTS, INC.

DISTRIBUTION BOX
 5 AND 8 OUTLET