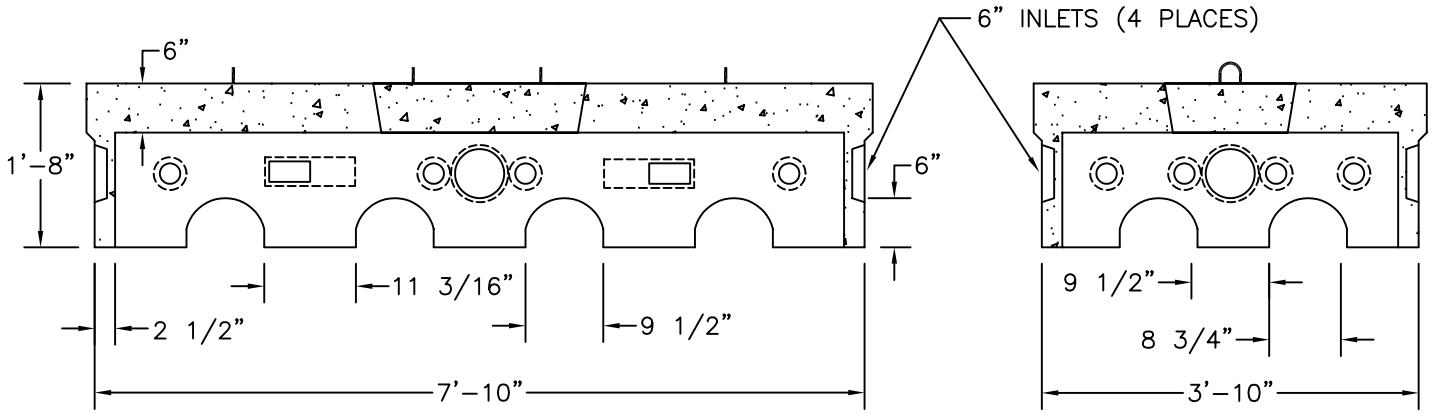


PLAN VIEW



SIDE SECTION VIEW

END SECTION VIEW

ITEM NO. LE-AC	WT=3,111#
----------------	-----------

NOTES:

1. CONCRETE: 4,000 PSI MINIMUM AFTER 28 DAYS.
2. DESIGNED FOR H-20 LOADING.

E. F. SHEA
 NEW ENGLAND
 CONCRETE PRODUCTS, INC.

AMERATION CHAMBER
 H-20