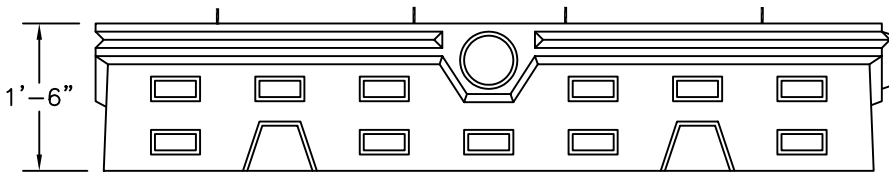
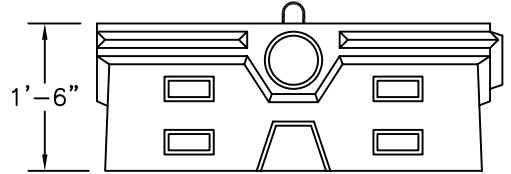


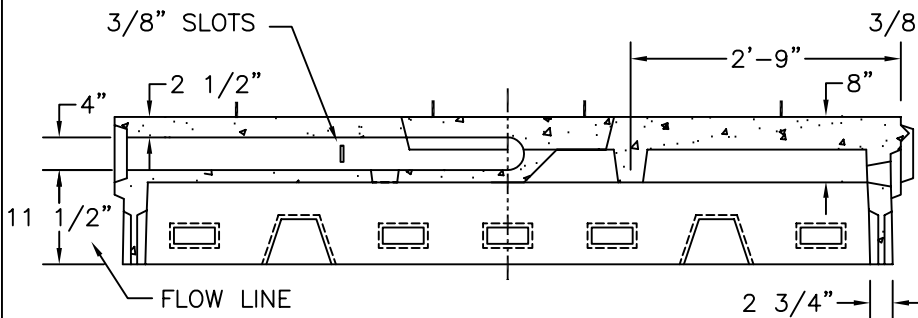
PLAN VIEW



SIDE VIEW

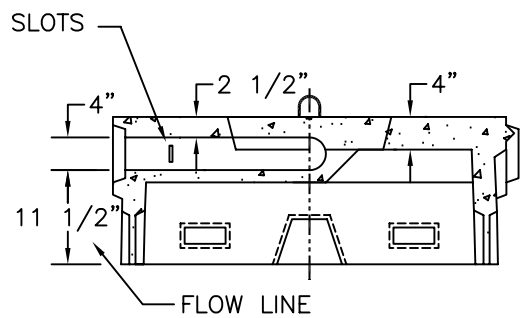


END VIEW



SIDE SECTION VIEW

AA



END SECTION VIEW

BB

		WEIGHT
ITEM NO.	LE-FDD	3,111#

NOTES:

1. CONCRETE: 4,000 PSI MINIMUM AFTER 28 DAYS.
2. REINFORCED STEEL CONFORMS TO LATEST ASTM SPEC.
3. AVAILABLE IN H-20 LOADING.

**E. F. SHEA**  
**NEW ENGLAND**  
**CONCRETE PRODUCTS, INC.**

LEACHING CHAMBER  
 "D" FLOW DIFFUSOR