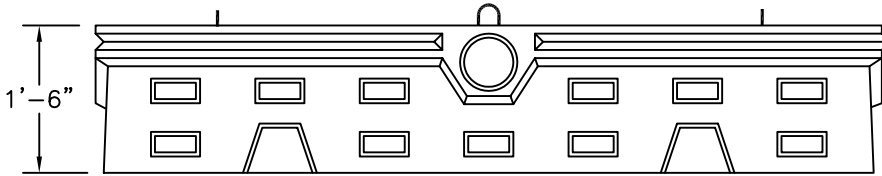
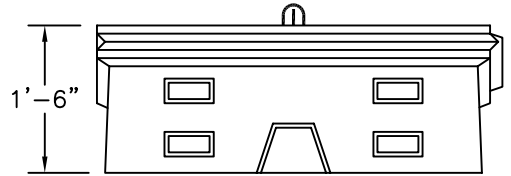


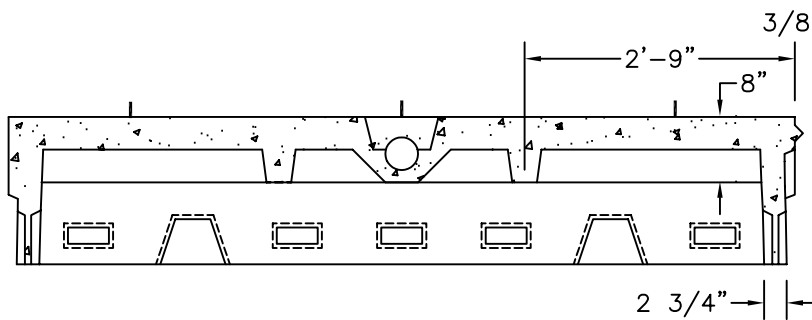
PLAN VIEW



SIDE VIEW

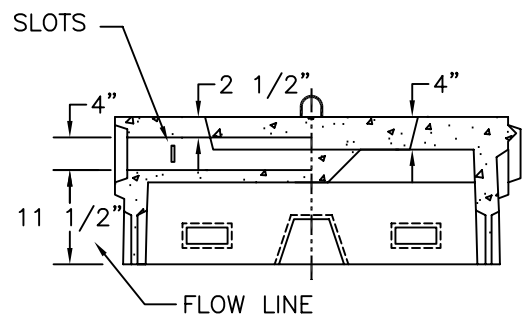


END VIEW



SIDE SECTION VIEW

AA



END SECTION VIEW

BB

WEIGHT

ITEM NO.	LE-FDS	WEIGHT	3,111#
----------	--------	--------	--------

NOTES:

1. CONCRETE: 4,000 PSI MINIMUM AFTER 28 DAYS.
2. REINFORCED STEEL CONFORMS TO LATEST ASTM SPEC.
3. AVAILABLE IN H-20 LOADING.

E. F. SHEA
NEW ENGLAND
CONCRETE PRODUCTS, INC.

LEACHING CHAMBER
 "S" FLOW DIFFUSOR