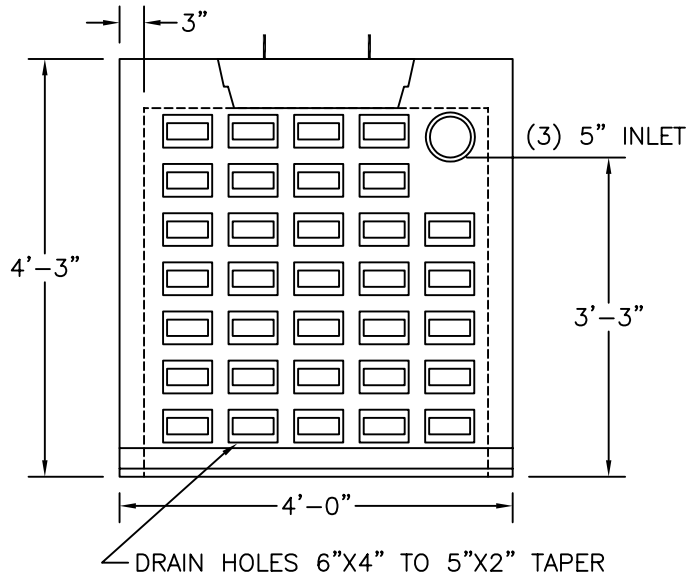
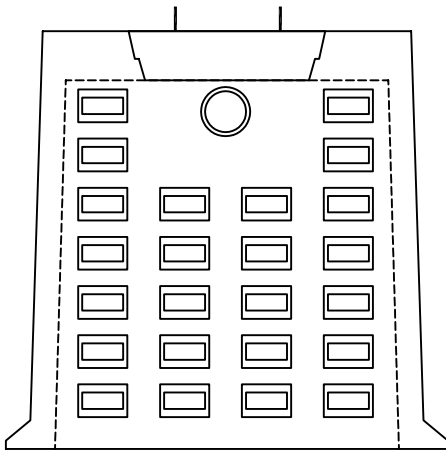


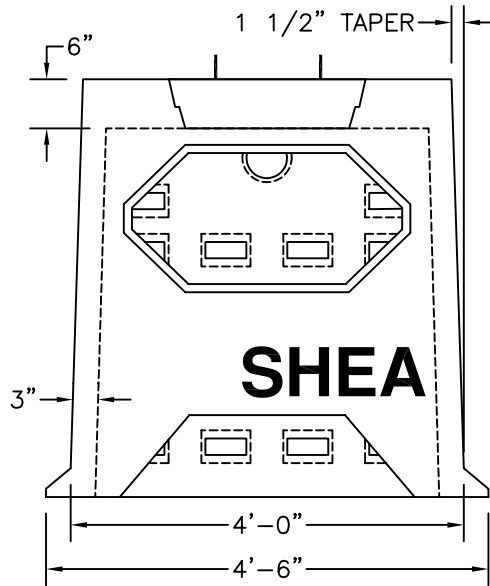
PLAN VIEW



SIDE VIEW



FRONT VIEW



BACK VIEW

			WEIGHT
ITEM NO.	LE-EGH	H-20	2,430#
	LE-CGH	H-20	2,300#

NOTES:

1. CONCRETE: 4,000 PSI MINIMUM AFTER 28 DAYS.
2. DESIGNED FOR H-20 LOADING.
3. GALLEY AVAILABLE IN BOTH END AND CENTER SECTIONS. CENTER SECTIONS HAVE LARGE OPENING IN BOTH THE BACK AND FRONT SIDES.

E. F. SHEA
NEW ENGLAND
CONCRETE PRODUCTS, INC.

GALLEY