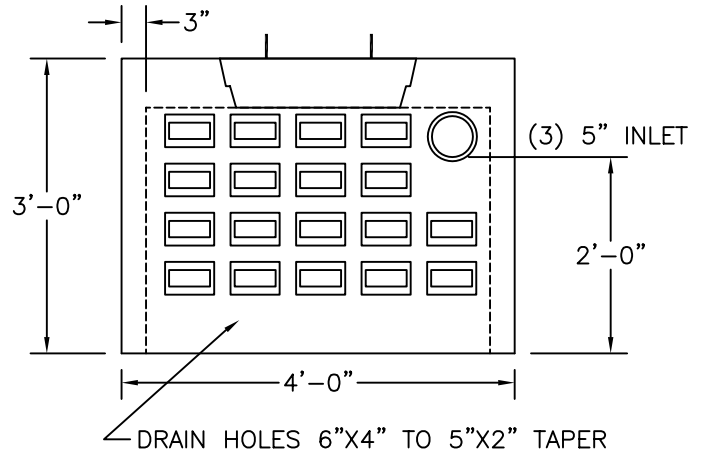
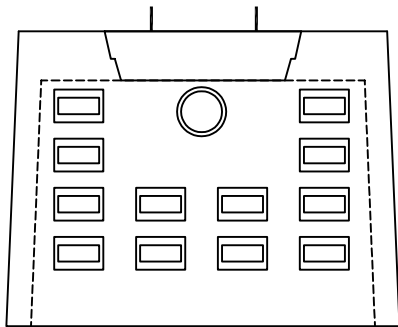


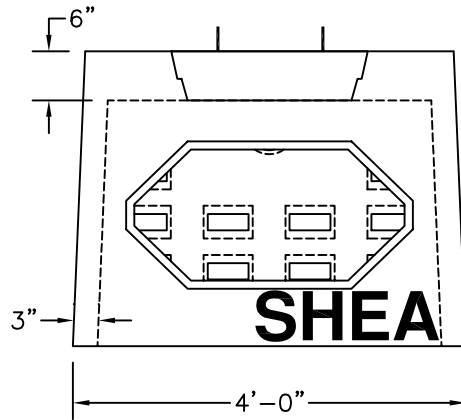
PLAN VIEW



SIDE VIEW



FRONT VIEW



BACK VIEW

			WEIGHT
ITEM NO.	LE-EGLPH	H-20	1,875#
	LE-CGLPH	H-20	1,743#

NOTES:

1. CONCRETE: 4,000 PSI MINIMUM AFTER 28 DAYS.
2. DESIGNED FOR H-20 LOADING.
3. GALLEY AVAILABLE IN BOTH END AND CENTER SECTIONS. CENTER SECTIONS HAVE LARGE OPENING IN BOTH THE BACK AND FRONT SIDES.

E. F. SHEA
NEW ENGLAND
CONCRETE PRODUCTS, INC.

GALLEY
 LOW PROFILE