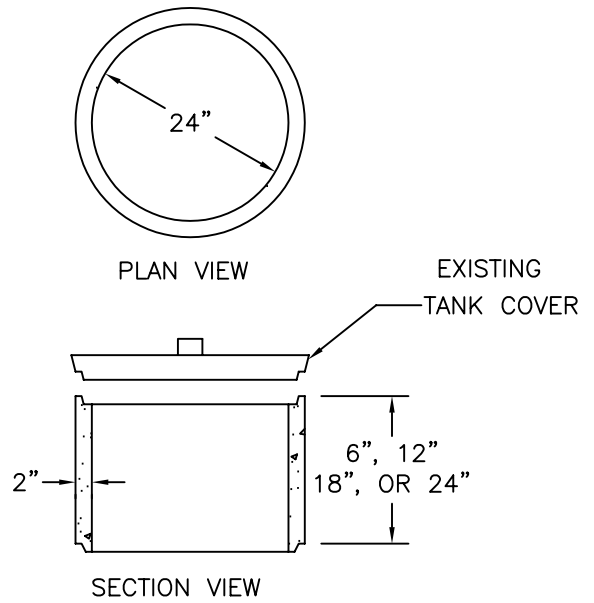


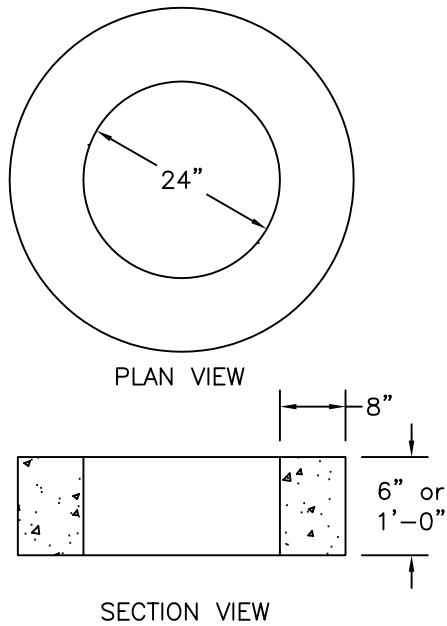
20" ID REGULAR DUTY  
WEIGHT

ITEM NO.	B-TE12R	12" HIGH	142#
	B-TE24R	24" HIGH	284#



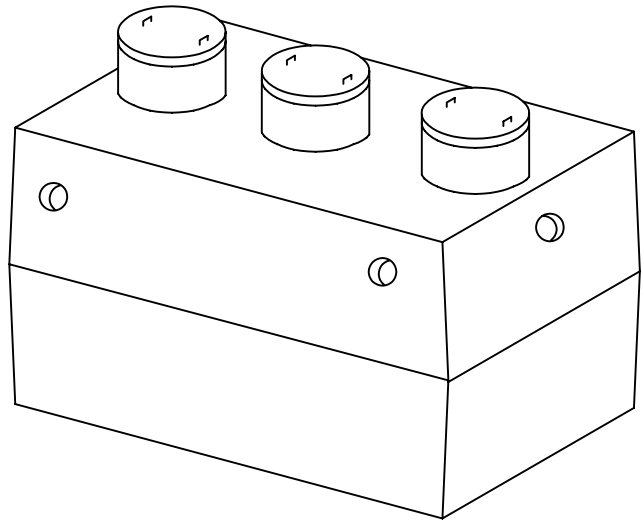
24" ID REGULAR DUTY  
WEIGHT

ITEM NO.	TE24X6	85#
	TE24X12	170#
	TE24X18	255#
	TE24X24	340#



TANK RISER H-20  
WEIGHT

ITEM NO.	RISER6/12	625#
----------	-----------	------



NOTES:

1. CONCRETE: 4,000 PSI MINIMUM AFTER 28 DAYS.
2. OPTIONAL CONCRETE OR CAST IRON COVER AVAILABLE.

**E. F. SHEA**  
NEW ENGLAND  
CONCRETE PRODUCTS, INC.

TANK  
EXTENSIONS