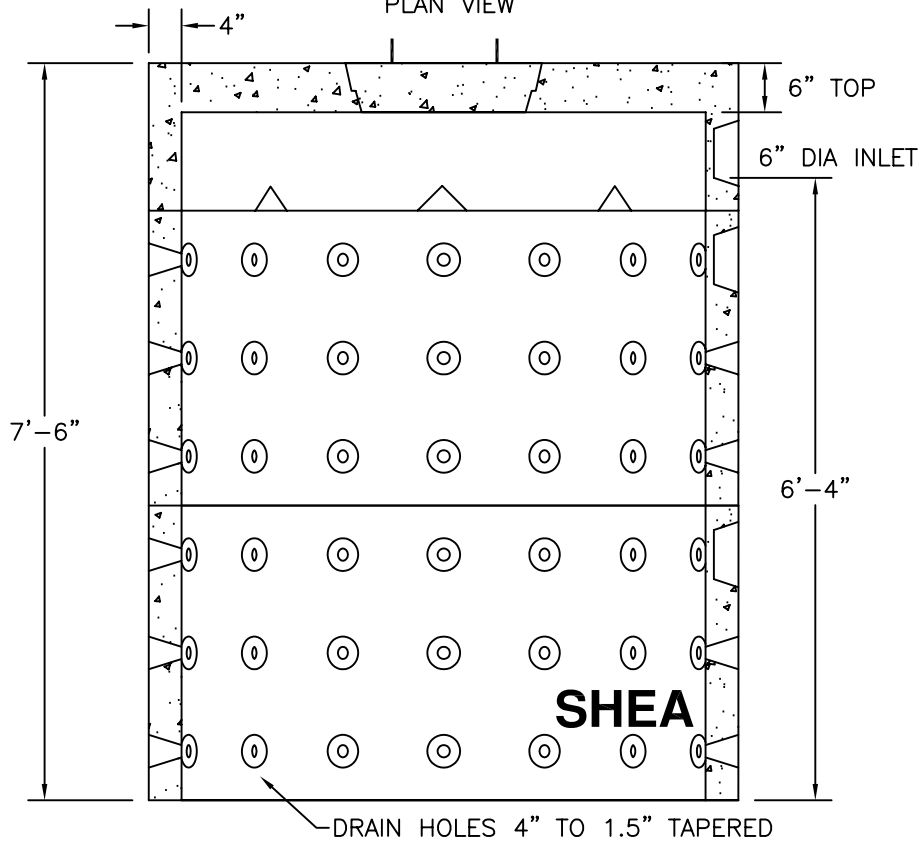


PLAN VIEW



SECTION VIEW

| | ITEM NO. | WEIGHT |
|--------------|---------------------|--------|
| 1200 GALLON | DW-1200SDW STANDARD | 7,400# |
| | DW-1200SDW H-20 | 7,400# |
| 3' STACKABLE | DW-3SS | 2,008# |

NOTES:

1. CONCRETE: 4,000 PSI MINIMUM AFTER 28 DAYS.
2. AVAILABLE IN H-20 LOADING.
3. CAPACITY INCREASES IN INCREMENTS OF 500 GALLONS FOR EACH 3' SECTION ADDED.

E. F. SHEA
 NEW ENGLAND
 CONCRETE PRODUCTS, INC.

DRY WELL CYLINDRICAL
 1200 GALLON
 STACKABLE