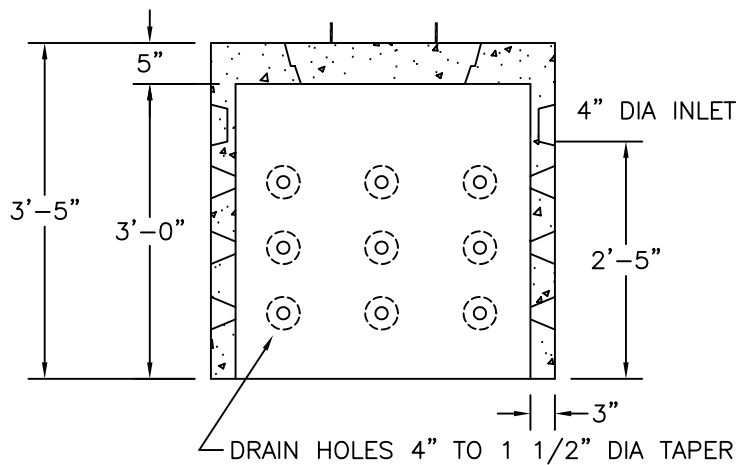


PLAN VIEW



SECTION VIEW

			WEIGHT
ITEM NO.	DW-MDW36WC	3' SECTION W/COVER (ONE PIECE)	1,404#

NOTES:

1. CONCRETE: 4,000 PSI MINIMUM AFTER 28 DAYS.
2. CAPACITY INCREASES IN INCREMENTS OF 160 GALLONS FOR EVERY 3' SECTION ADDED.
3. BOTTOM PLATES AVAILABLE.

E.F. SHEA
NEW ENGLAND
CONCRETE PRODUCTS, INC.

MINI-DRY WELL