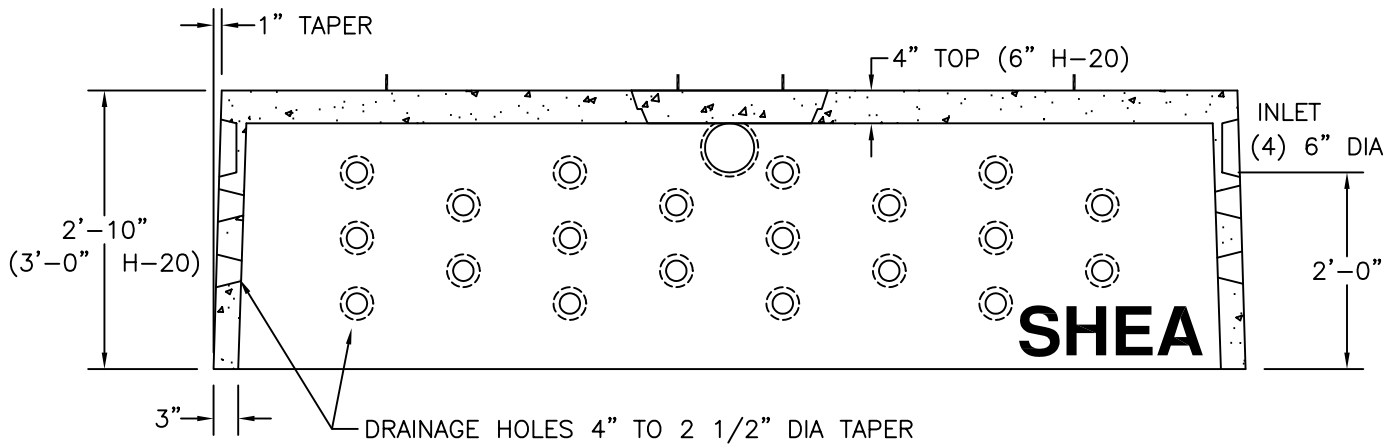


PLAN VIEW



SECTION VIEW

			WEIGHT
ITEM NO.	DW-JDW	STANDARD	5,650#
	DW-JDWH	H-20	7,100#

NOTES:

1. CONCRETE: 4,000 PSI MINIMUM AFTER 28 DAYS.
2. ALSO AVAILABLE IN H-20 LOADING.

E. F. SHEA
NEW ENGLAND
CONCRETE PRODUCTS, INC.

1000 GALLON
 DRY WELL
 JUMBO