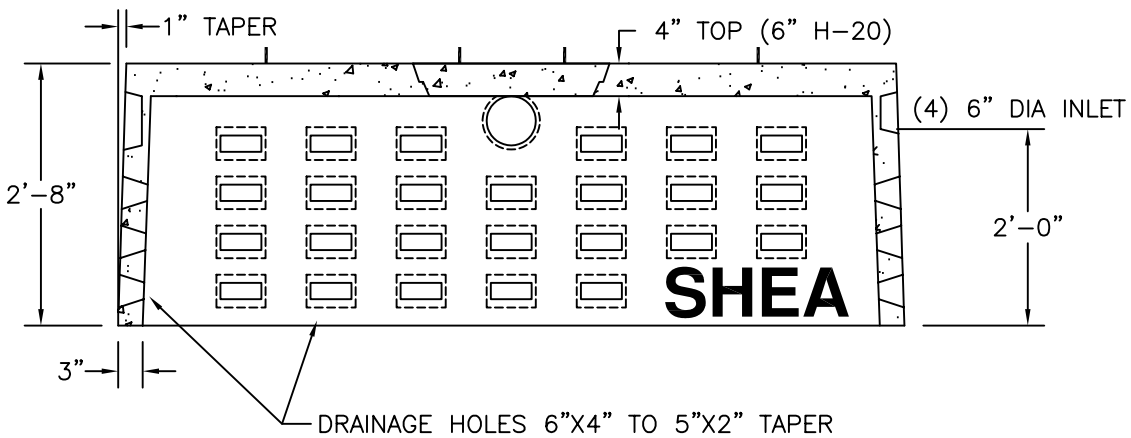


PLAN VIEW



SECTION VIEW

		WEIGHT
ITEM NO.	DW-SDW	5,142#
	DW-SDWH	6,065#

NOTES:

1. CONCRETE: 4,000 PSI MINIMUM AFTER 28 DAYS.
2. AVAILABLE IN H-20 LOADING.

**E. F. SHEA**  
**NEW ENGLAND**  
**CONCRETE PRODUCTS, INC.**

500 GALLON  
 DRY WELL  
 SHALLOW