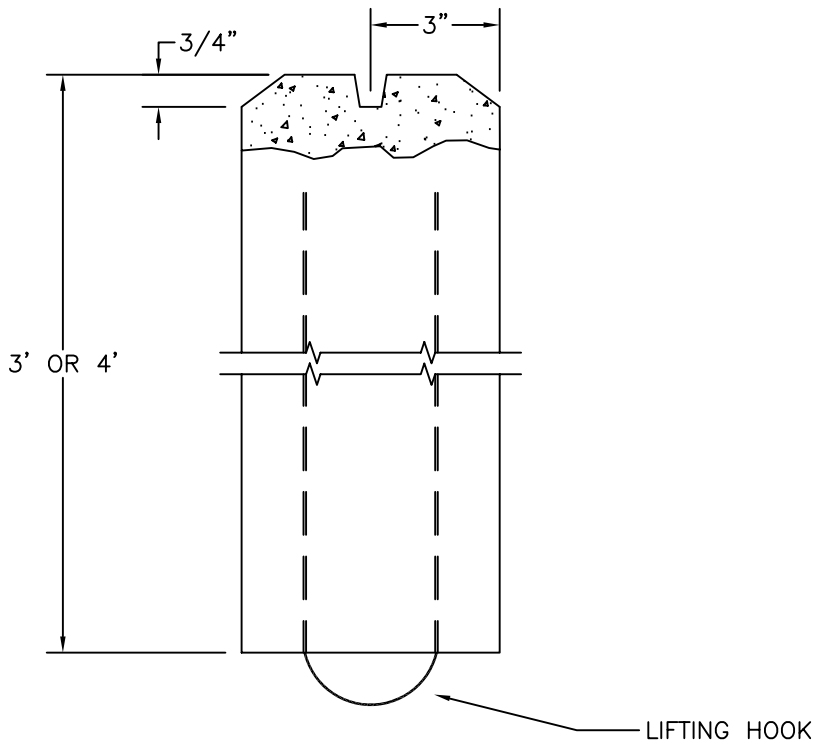


PLAN VIEW



SIDE VIEW

ITEM NO. B-BM2	WT=110#
ITEM NO. B-BM3	WT=147#

NOTES:

- 1. CONCRETE: 4,000 PSI MINIMUM AFTER 28 DAYS

E.F. SHEA
NEW ENGLAND
CONCRETE PRODUCTS, INC.

BOUNDARY MARKERS