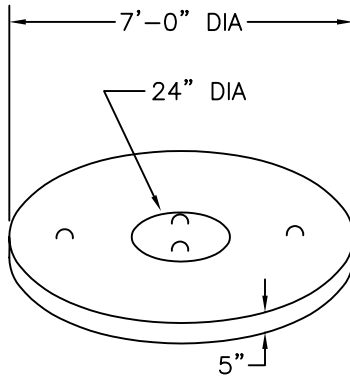
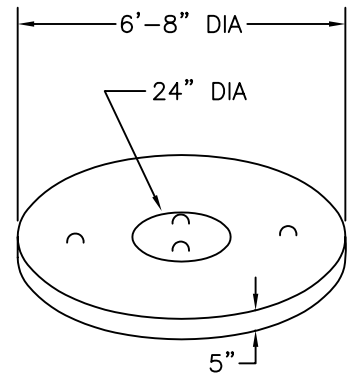


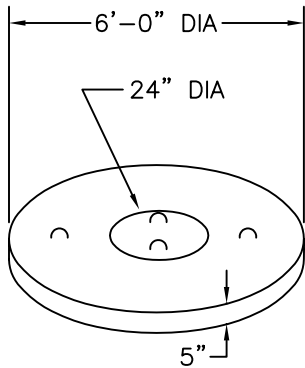
ITEM NO.	DESCRIPTION	WEIGHT
C-88C	STANDARD	3,126#
C-88CH	H-20	3,126#



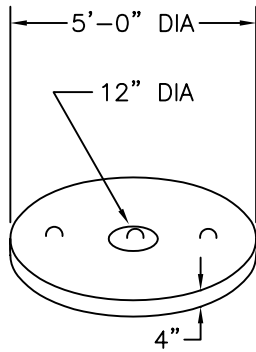
ITEM NO.	DESCRIPTION	WEIGHT
C-84C		2,373#



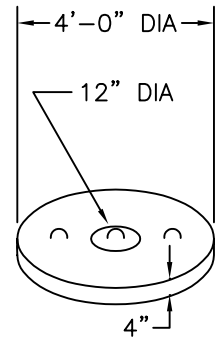
ITEM NO.	DESCRIPTION	WEIGHT
C-80	STANDARD	2,585#
C-80H	H.D.	2,585#



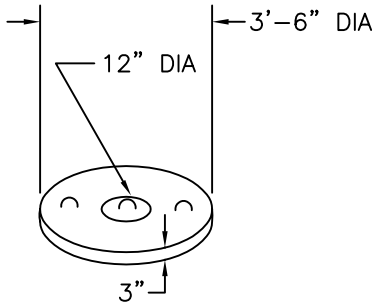
ITEM NO.	DESCRIPTION	WEIGHT
C-72C	STANDARD	1,742#
C-72CH	H.D.	2,791#



ITEM NO.	DESCRIPTION	WEIGHT
C-60C		969#

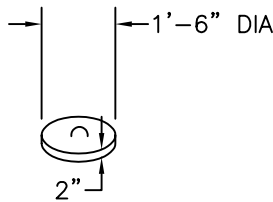


ITEM NO.	DESCRIPTION	WEIGHT
C-48C		620#



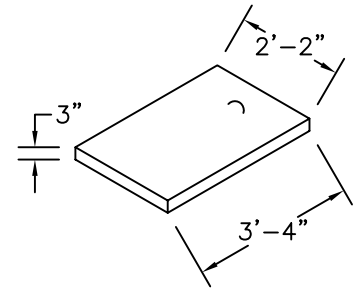
WELL TILE COVER WITH OR WITHOUT HAT

ITEM NO.	DESCRIPTION	WEIGHT
C-WTC		356#



CULVERT PIPE COVER

ITEM NO.	DESCRIPTION	WEIGHT
C-CPC		43#



AIR CONDITIONER PAD

ITEM NO.	DESCRIPTION	WEIGHT
C-ACP		267#

NOTES:

1. CONCRETE: 4,000 PSI MINIMUM AFTER 28 DAYS.

**E. F. SHEA**  
**NEW ENGLAND**  
**CONCRETE PRODUCTS, INC.**

COVERS